



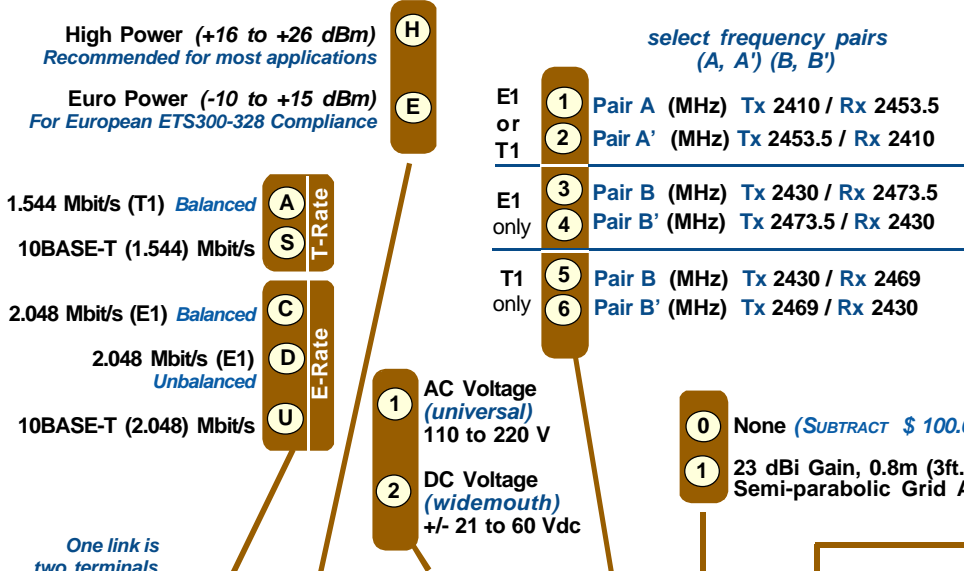
Aurora™ 2400 Order Guide

10BASE-T Capable Radio
(can be equipped at the factory or added later)



Radio Antenna Package
\$5,995.00 USD
PER TERMINAL

10BASE- Option
Additional \$600.00 USD
OPTION FACTORY INSTALLED



No. of Terminals	V	Capacity	Power Output	Power Supply	Frequency Pair	Antenna	RF Cable Length	PRICE USD
3								
3								
3								
3								

- ADD PER TERMINAL**
- 0 None
 - 1 15 m (50 ft.) \$140.00 USD
 - 2 30 m (100 ft.) \$240.00 USD
 - 3 60 m (200 ft.) \$440.00 USD

RF Cables are Andrews LDF2-50 Helical Type with 6 dB loss/100 ft. RF Cables are offered per terminal end, including N-type connectors, to connect between radio and antenna.

Prices are FOB Factory/EXW. Quoted delivery times are subject to availability and based upon letter of credit or other approved credit payment terms. Prices and specifications are subject to change without notice. Prices are in USD. P.O. must accompany Order Form. Order confirmation will be made within one business day upon receipt of P.O. and Order Form.

TOTAL

Requested Delivery Date

____ Day ____ Mo. ____ Yr
Delivery will be governed by available inventory

Reseller **Special Instructions**
 Yes
 No

Bill To:
 Company Name _____
 Contact Name _____
 Address _____
 Location _____
 City _____ State/Prov _____
 Country _____ Postal Code _____
 Phone _____ FAX _____

Ship To**
 Company Name _____
 Contact Name _____
 Address _____
 Location _____
 City _____ State/Prov _____
 Country _____ Postal Code _____
 Phone _____ FAX _____

**If Freight Forwarder, please provide final destination address on P.O.
Order by Mail Holland Signal, Inc., Order Admin: P.O. Box 33607, Indialantic, Florida USA 32903-0607
Order by FAX (+1) 407-650-2826 Attn: Order Administration Fax Anytime
Inquiries by Phone (+1) 321-727-8737 8:30 AM to 4:30 PM EST Monday through Friday

Internal use only

Sales Order No. _____	Ship Date _____	P.O. No. _____
Category Code _____	Sales Cat (End User) Code _____	S/E Code _____
P.O. Receipt Date _____	Time _____	O/A Receipt Date _____
ORAD-115, Iss. Date: 04/06/98, Rev. Date: 04/06/98	Customer No. _____	Order Booked Date _____